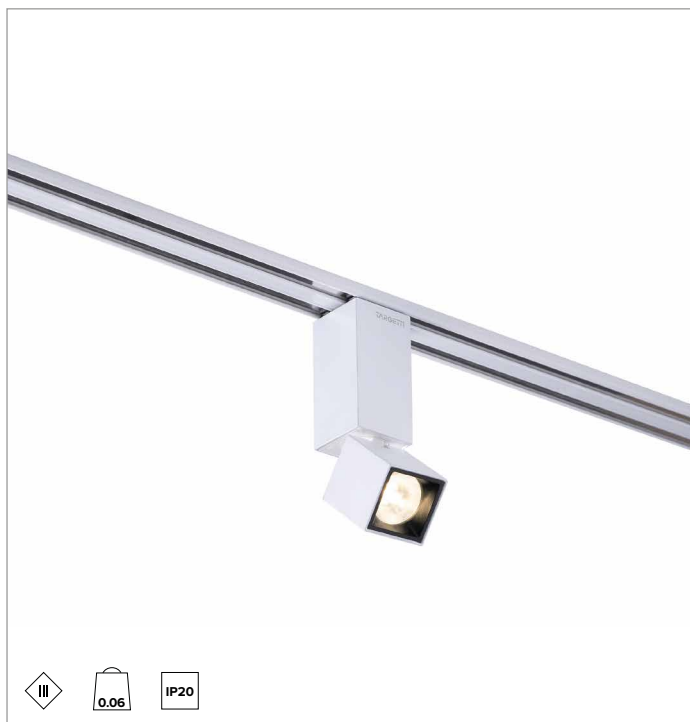
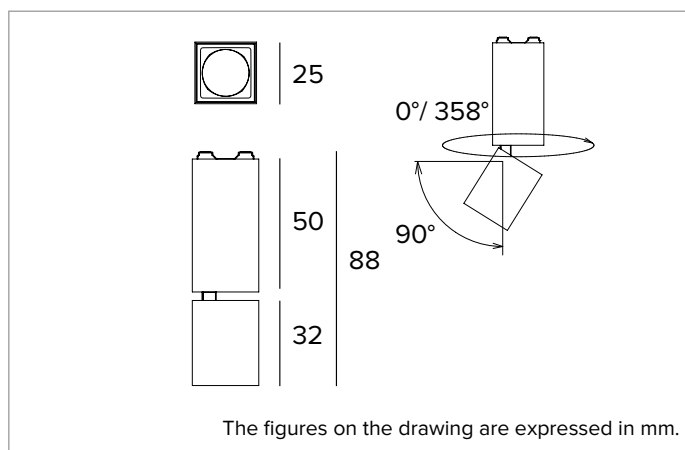


## 1T7128DD | OZ Lighting module - Single

### Adjustable magnetic LED light module, powered at low voltage



	3000K	H(m)	D(m)	Emax(lx)		
	Ra90		28°			
Fixture Power	3W	1	0.51	497		
Source Flux	197lm	2	1.01	124		
Fixture Flux	148lm	3	1.52	55		
Efficacy	53lm/W	4	2.02	31		
TS1123	Imax=2525cd/klm	Imax	497cd	5	2.53	20



#### SOURCE

Hugh efficiency Ra90 LED Emitter.

**Energy efficiency class:** G

**Nominal power:** 2,1W

**Nominal flux:** 197lm

**Colour rendering index:** 90

**Rf:** 89.3

**Rg:** 104.3

**CCT nominal:** 3000K

**SDCM:** 2

**Lifetime (L80/B10):** >50000h tq +25°C

#### ILLUMINOTECHNICAL CHARACTERISTICS

The flood optical system has an acrylic lens and a black polycarbonate frame. The light is suitable for installation in work environments UGR<19 (EN12464-1).

**Optic:** LENS

**Beam angles:** FL

**Optical efficiency:** 75%

**Fixture flux:** 148lm

**Luminous efficacy:** 53lm/W

**Photobiological safety:** Compliant with RG1 low risk group

#### MECHANICAL CHARACTERISTICS

White painted die-cast aluminium body. Adjustable fixture, 25x25mm. Tiltability of the optical unit from 0° to +90° on the vertical plane and of 358° on the horizontal plane.

**Colour and finish:** Plaster white

**Dimensions:** 25x25mm

**Weight:** 0.061Kg

**Version:** ADJUSTABLE DIGITAL DIMMING

**Degree of protection:** IP20

#### ELECTRICAL CHARACTERISTICS

**Fixture Power:** 3W

**Power supply:** 48Vdc

**Insulation Class:** CLASS 3

**Class F:** YES

**Ambient temperature:** 0°C / +25°C

#### INSTALLATION

Extremely rapid, versatile and simple mechanical and electrical coupling system using magnets which support the fixture on the Power Track and feed power inside the fixture on all versions.

#### NOTES

Digital Dimming version. 110-277Vac version available on request.

#### WARRANTY

5 years.

#### WARNING

Luminaire designed for disposal/recycling at end-of-life. Replaceable (LED only) light source by a professional. Replaceable control gear by a professional.

*Due to the technological evolution of the electronic components, the data provided may be updated, and as such, confirmation must be requested during the order process.*

*Luminous flux and power supply have +/-10% tolerances with respect to the indicated value. tq +25°C (CIE 121).*

*We reserve the right to make technical changes.*

Targetti Sankey S.r.l.  
Via Pratese, 164  
50145 Firenze - Italy  
Tel: +39 055 37911  
targetti.com  
targetti@targetti.com

CCIAA Firenze  
Share Capital:  
€ 500.000,00  
VAT N. (IT):  
01537660480  
R.E.A.: FI-275656

**TARGETTI**